


## Declaration of Conformity

Declaration of conformity for generator Unit		2019-3-18
<b>Manufacturer's name and address</b>	Sungrow Power Supply Co., Ltd. No. 1699 Xiyou Road, Hefei, China	
<b>Product Description</b>	PV inverter	
<b>Model</b>	SG33CX, SG40CX, SG50CX	
<b>VDE Code of practice</b>	VDE-AR-N 4105:2018 Generators connected to the low-voltage distribution network – Technical requirements for the connection to and parallel operation with low-voltage distribution networks	
<b>Picture</b>		

The above generator units meet the requirements of the Directive VDE-AR-N 4105, version 2018-11.

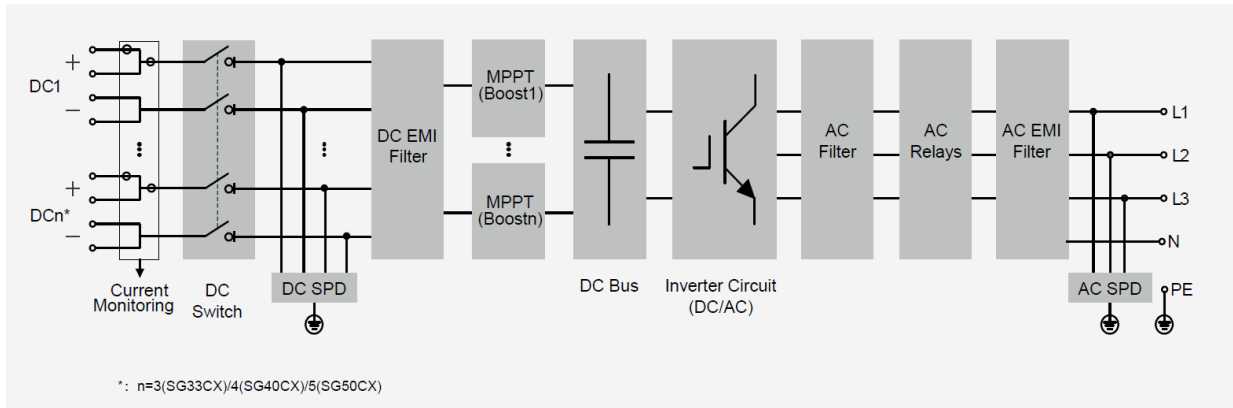
### Setting values and response times of protective functions:

Function	Setting values	Response Times
Voltage increase protector $U >>$	1.25Un	100ms
Voltage increase protector $U >$	1.15Un	100ms
Voltage drop protector $U <$	0.80Un	3000ms
Voltage drop protector $U <<$	0.45Un	300ms
Frequency increase protector $f >$	51.5Hz	100ms
Frequency drop protector $f <$	47.5Hz	100ms
Islanding detection		2000ms

**Sungrow Power Supply Co., Ltd.**  
Add: No. 1699 Xiyou Road, Hefei, China  
Tel: +86 551 6532 7834  
Email: info@sungrow.cn  
Website: www.sungrowpower.com

**SUNGROW**

## Schematic structure of SG33CX, SG40CX, SG50CX



Wang Kai  
Standard and Certification Engineer  
On behalf of Sungrow Power Supply Co., Ltd.  
18th Mar 2019  
Place: Hefei, China



Green and Effective