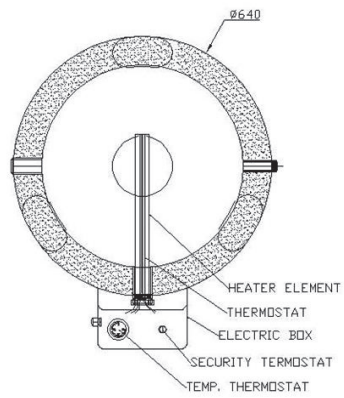
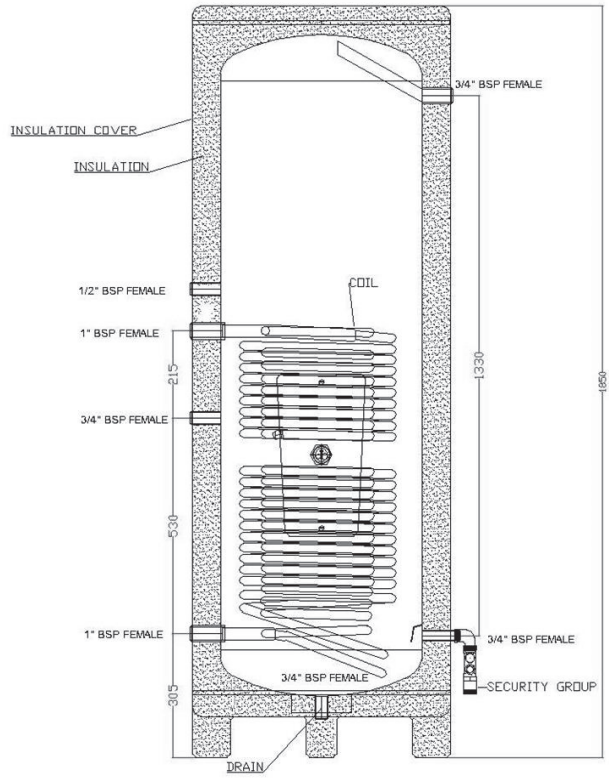
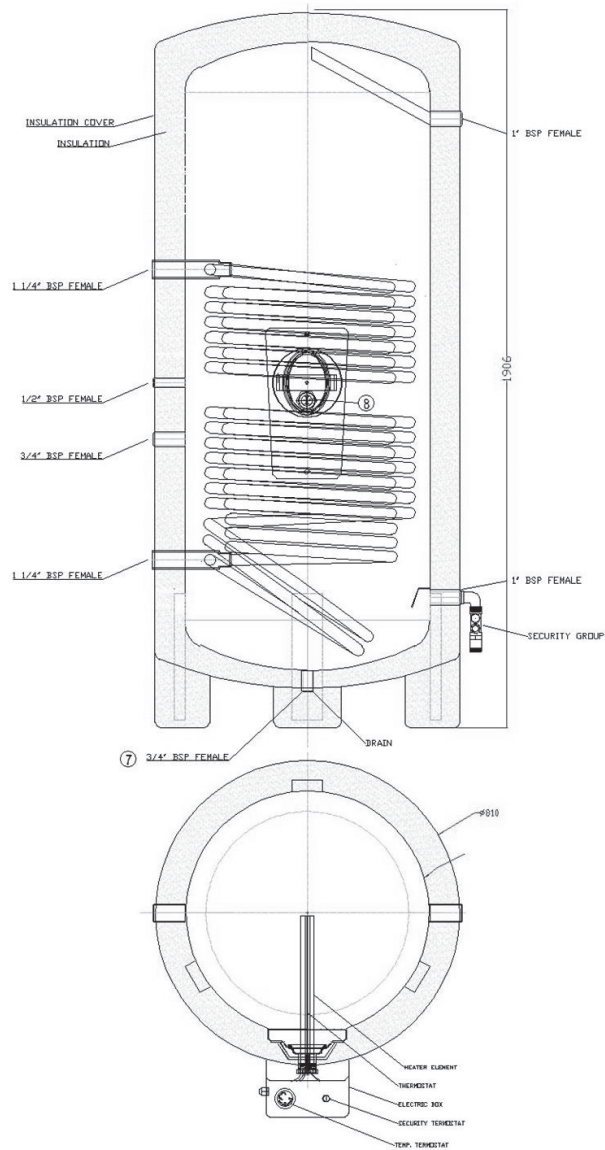


Single Coil 200 L



Single Coil 300 L



Single Coil 500 L

Einfachspirale	Volumen [l]			
	100	200	300	500
Durchmesser Ø [mm]	560	640	640	810
Höhe [mm]	930	1350	1850	1900